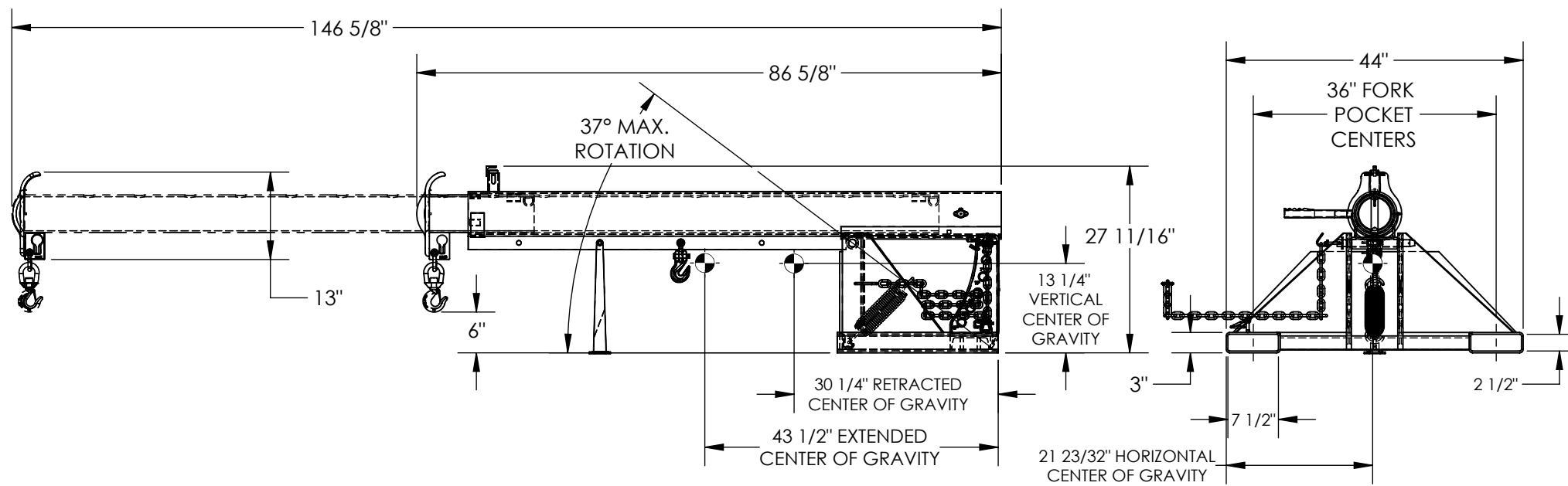


# LIFT MASTER BOOM, ORBIT TELESCOPING BOOM-LM-OBT-4-36

APPROX WEIGHT: 491.12 lbs.  
 DOES NOT INCLUDE WEIGHT OF POWER OR PACKAGING!!!

\*\*\* ANY ADDITIONS, DELETIONS, OR OMISSIONS MUST BE CORRECTED ON THIS DRAWING AS THIS DRAWING WILL BE CONSIDERED ALL INCLUSIVE \*\*\*

ALL GRAPHICS PROVIDED ARE FOR REFERENCE ONLY. IF CERTAIN DIMENSIONS ARE CRITICAL PLEASE VERIFY THOSE DIMENSIONS WITH YOUR SALESPERSON



## \*--MAXIMUM SINGLE HOOK CAPACITIES

DISTANCE	36"	48"	60"	72"	84"	96"	108"	120"	132"	144"
CAPACITY	4000	3750	3500	3250	3000	2750	2500	2250	2000	1750

### STANDARD FEATURES

MODEL NUMBER IS LM-OBT-4-36  
 CAPACITY IS 4,000 LBS  
 MAXIMUM TILT ANGLE IS 37°  
 OVERALL HEIGHT - 27 11/16"  
 HEIGHT (MAX TILTED) - 99 1/2"  
 LENGTH RETRACTED - 86 5/8"  
 LENGTH EXTENDED - 146 5/8"  
 OVERALL WIDTH IS 44"  
 36" MINIMUM HOOK POINT  
 144" MAXIMUM HOOK POINT  
 HOOK HEIGHT - 6"  
 HOOK HEIGHT (MAX TILTED) - 78 5/16"  
 USABLE FORK POCKET - 2 1/2"x7 1/2"  
 36" FORK POCKET CENTERS  
 FRAME TOUGH BAKED IN POWDER COATED BLUE FINISH  
 BOOM TOUGH BAKED IN POWDER COATED YELLOW FINISH

### SPECIAL FEATURES

NONE

APPROX. WEIGHT / LOST LOAD = 491.12  
 MINIMUM EFFECTIVE THICKNESS = LESS THAN 1"  
 NEVER EXCEED LOAD CENTER  
 RATING PER FORKTRUCK  
 MANUFACTURERS GUIDELINES.  
 DO NOT USE THIS FORK TRUCK  
 ATTACHMENT IF LOAD WILL  
 EXCEED FORK TRUCK MANUFACTURER'S  
 LOAD CENTER RATING

DIMENSION TOLERANCE ± 1/4"

<b>APPROVAL</b>	I, THE UNDERSIGNED, AGREE THAT THE PRODUCT AS REPRESENTED SATISFIES DESIGN AND DIMENSION REQUIREMENTS. I ALSO ACKNOWLEDGE MY DUTY TO CONFIRM PRODUCT AND INSTALLATION COMPLIANCE WITH ALL APPLICABLE FEDERAL, STATE AND LOCAL REGULATIONS AND STANDARDS.	
	<b>UNITS REQUIRING APPROVAL DRAWINGS OR MODIFIED ARE NON-RETURNABLE</b>	
	[ ] As drawn	[ ] As marked
Signed: _____		Date: _____
Printed Name: _____		
<i>LEAD TIME WILL START UPON RECEIPT OF SIGNED APPROVAL DRAWING</i>		

DISTRIBUTOR'S NAME:		P.O.#
VESTIL MANUFACTURING		X
DRAWN BY: B.NOTHNAGEL		DATE: 7/1/2015
REFERENCE: X		SCALE: 1:22
QUOTED LEAD TIME: X		QUOTE # X
		SALES: X
		FILE NAME: 08-007-304